

# Offshore Drilling & Pipeline Equipment

[www.ivp-solutions.com](http://www.ivp-solutions.com)



## Gate Valves

+44 (0)167 020 2777

[www.ivp-solutions.com](http://www.ivp-solutions.com)

# 17

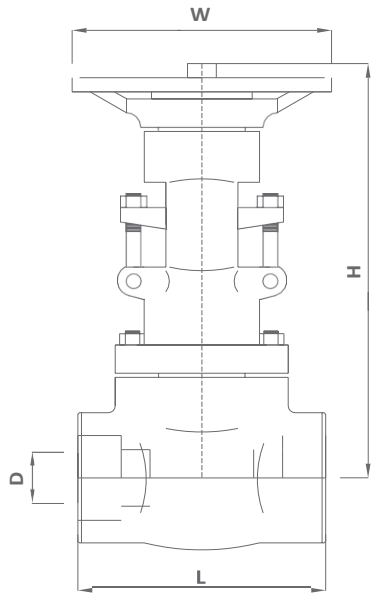


TABLE 17.1

Forged Steel Gate Valve Class 800					
Size	D	L	H (Open)	W	Weight
½"	10	79	161	100	2.22
¾"	13.6	92	163	100	2.39
1"	18	111	196	125	4.29
1½"	29	120	251	160	7.05
2"	36.8	140	290	180	10.9

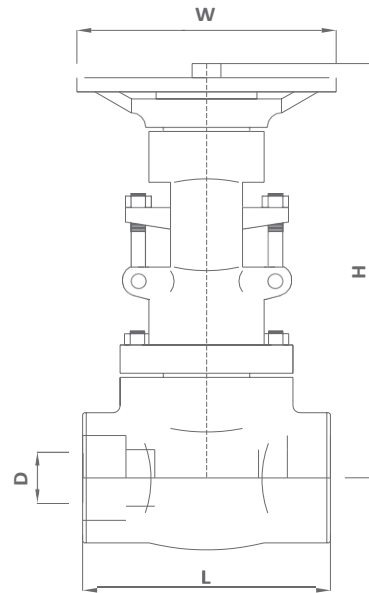


TABLE 17.2

Forged Steel Gate Valve Class 1500					
Size	D	L	H (Open)	C	Weight
2"	10.5	111	191	125	4.4
3"	13.5	111	192	125	5.1
4"	18	120	219	160	6
5"	29	140	296	180	11.4
6"	36.8	178	316	200	16

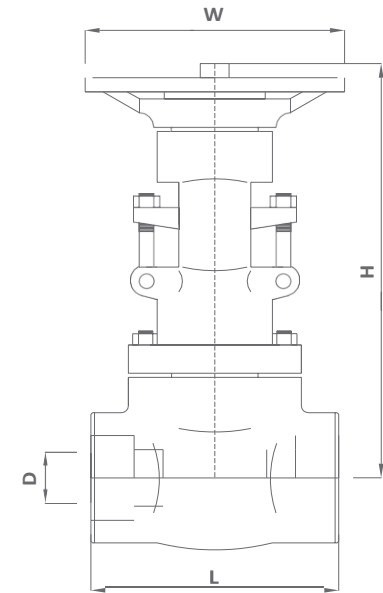


TABLE 17.3

Forged Steel Gate Valve Class 2500					
Size	D	L	H (Open)	C	Weight
½"	14	150	293	130	11
¾"	14	150	300	130	11.3
1"	19	210	390	250	22.4
1½"	30	235	435	300	38
2"	30	235	435	300	38

NOTE: All dimensions in (inches). Weight is in (Kg).



T: +44 (0)167 020 2777 / E: sales@ivp-solutions.com / W: www.ivp-solutions.com

This data represents the standard material stocked and supplied in the IVP-Solutions product range. Other material specifications available upon request.

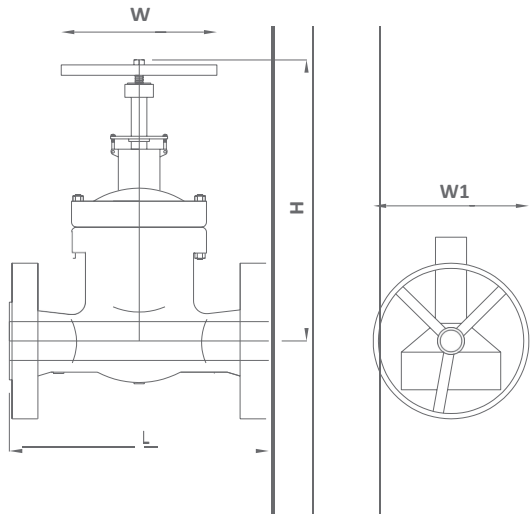


TABLE 17.4

Cast Gate Valves ANSI 150lb							
Size	End to End		H	W	W1	Weight	Weight
	RF-L	RTJ-L					
2	7	7.5	15.3	8	-	19	-
3	8	8.5	19.7	10	-	33	-
4	9	9.5	23.4	1	-	49	-
6	10	11	30.6	14	12.2	77	104
8	11.5	12	38.4	1	12.2	124	150
10	13	13.5	45.7	16	12.2	188	215
12	14	14.5	54.7	1	12.2	288	315
14	15	15.5	61.2	22	18.1	385	435
16	16	16.5	71.3	2	18.1	500	552
18	17	17.5	82.8	25	18.1	501	653
20	18	18.5	90.5	2	18.1	764	816
24	20	20.5	102.7	30	18.1	1007	1,185
28	24	-	131	-	23.6	-	1,800
30	24	-	142	-	23.6	-	2,300
32	28	-	146	-	23.6	-	2,550
36	28	-	154.5	-	23.6	-	3,390

NOTE: All dimensions in (inches). Weight is in (Kg).

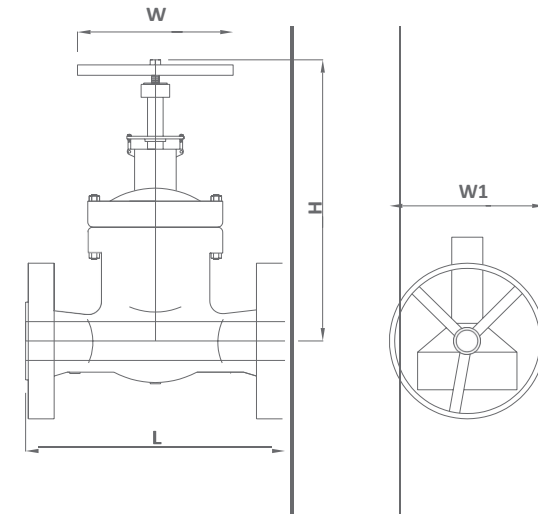


TABLE 17.5

Cast Gate Valves ANSI 300lb							
Size	End to End		H	W	W1	Weight	Weight
	RF-L	RTJ-L					
2	8.5	9.1	16.9	8	-	25	-
3	11.1	11.7	20.9	10	-	48	-
4	12	12.6	24.8	11	12.2	73	100
6	15.9	16.5	31.5	14	12.2	130	186
8	16.5	17.1	39.7	16	12.2	208	235
10	18	18.6	48.8	18	12.2	334	386
12	19.7	20.4	57.9	20	12.2	450	502
14	30	30.6	64.8	24	18.1	704	756
16	33	33.6	72.5	24	18.1	923	965
18	36	36.6	77.1	26	18.1	1131	1,224
20	39	39.7	86.4	30	18.1	1345	1,400
24	45	45.9	102.3	36	24	2122	2,385
28	53	54	122	-	24	-	3,300
30	55	56	130.7	-	24	-	3,550



T: +44 (0)167 020 2777 / E: sales@ivp-solutions.com / W: www.ivp-solutions.com

This data represents the standard material stocked and supplied in the IVP-Solutions product range. Other material specifications available upon request.

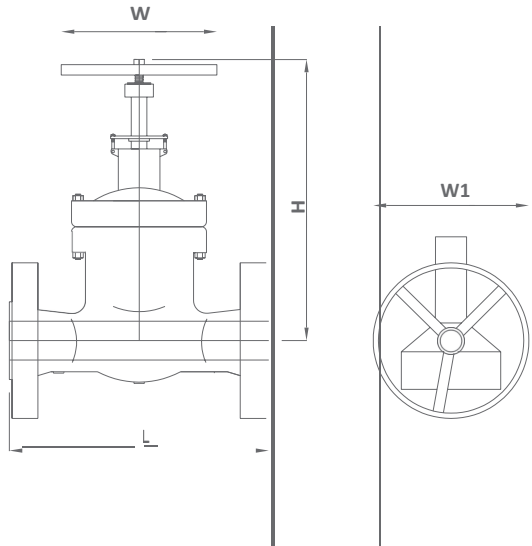


TABLE 17.6

	RF-L						
2	11.5	11.6	17.9	10	-	32	-
3	14						87
4	17	17.1	27.2	12	10	107	134
6	22						268
8	26	26.1	41.9	20	12.2	399	451
10	31						657
12	33	33.1	57.8	30	18.1	851	893
14	35						1,232
16	39	39.1	71.5	36	18.1	1513	1,568
18	43						1,980
20	47	47.3	106.5	-	30	-	2,480
24	55						3,850

NOTE: All dimensions in (inches). Weight is in (Kg).

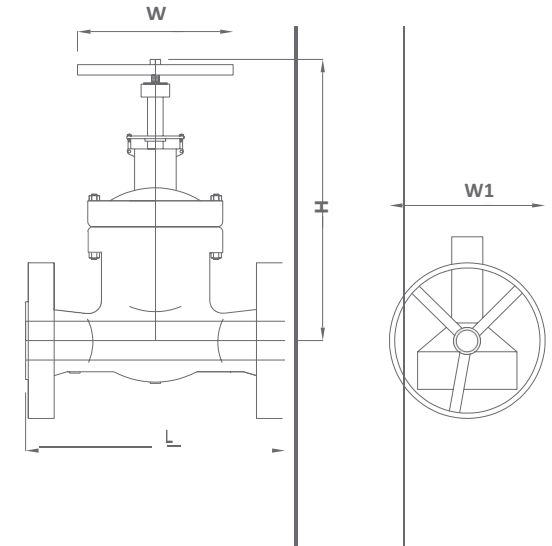


TABLE 17.7

	RF-L						
2	14.5	14.62	19.7	11.1	-	70	-
3	15						167
4	18	18.12	27.6	14	12.2	200	227
6	24						410
8	29	29.12	43.3	26	18.1	550	600
10	33						1,100
12	38	38.12	59	36	18.1	1215	1,310
14	40.6						1,700
16	44.5	44.9	80.7	36	24	2150	2,330



T: +44 (0)167 020 2777 / E: sales@ivp-solutions.com / W: www.ivp-solutions.com

This data represents the standard material stocked and supplied in the IVP-Solutions product range. Other material specifications available upon request.

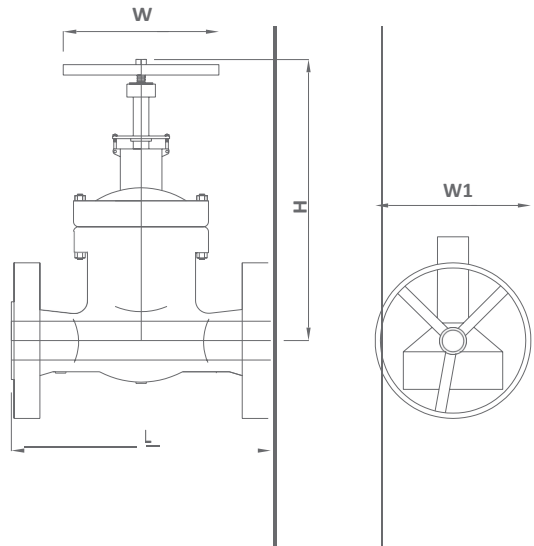


TABLE 17.8

Cast Gate Valves ANSI 1500lb							
Size	End to End		H	W		Weight	
	RF-L	RTJ-L		(H/ Wheel)	(Gear)	(H/ Wheel)	(Gear)
2	14.5	14.62	20.1	11.1	-	75	-
3	18.5	18.62	24.4	14	10	175	202
4	21.5	21.62	28.7	16	12.2	270	300
6	27.75	28	39.4	20	18.1	520	575
8	32.75	33.13	44.5	30	18.1	820	915
10	39	39.38	65.4	36	24	1560	1,750
12	44.5	45.12	72.44	36	24	1900	2,120
14	49.5	50.2	84	-	24	-	2,600
16	44.5	44.9	95	36	24	-	3,450

NOTE: All dimensions in (inches). Weight is in (Kg).

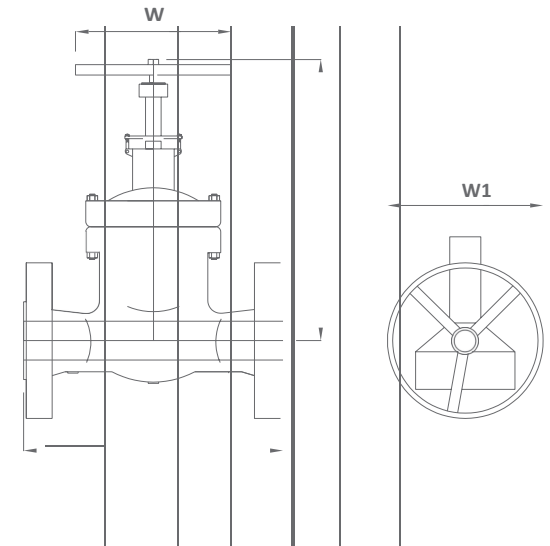


TABLE 17.9

Cast Gate Valves ANSI 2500lb							
Size	End to End		H	W		Weight	
	RF-L	RTJ-L		(H/ Wheel)	(Gear)	(H/ Wheel)	(Gear)
2	17.75	17.87	27.56	-	14	-	135
3	22.75	23	34.92	-	18	-	271
4	26.5	26.88	43.19	-	20	-	650
6	36	36.5	57.09	-	24	-	1,600
8	40.25	40.87	63.39	-	24	-	2,450
10	50	50.88	81.73	-	24	-	4,750
12	56	56.88	89.8	-	24	-	7,150





T: +44 (0)167 020 2777 / E: [sales@ivp-solutions.com](mailto:sales@ivp-solutions.com) / W: [www.ivp-solutions.com](http://www.ivp-solutions.com)

IVP Solutions, 2 GAS Workspace, Baker Road, Nelson Park West,  
Cramlington, NE23 1WL